



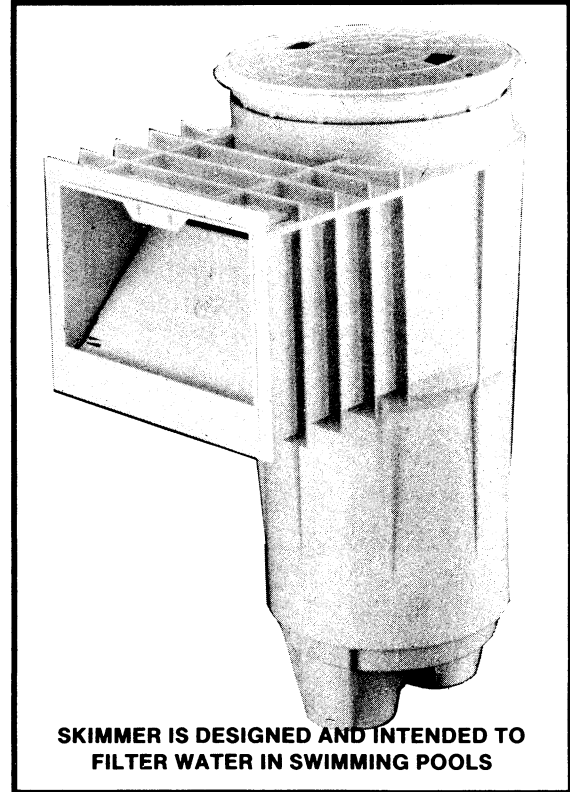
BERMUDA

GUNITE SKIMMER

INSTALLATION, OPERATION & SERVICE MANUAL

WARNING

THIS MANUAL CONTAINS IMPORTANT SAFETY INFORMATION WHICH MUST BE FURNISHED TO THE END USER. FAILURE TO READ AND FOLLOW INSTRUCTIONS COULD RESULT IN SERIOUS PERSONAL INJURY AND/OR MAJOR PROPERTY DAMAGE.



SKIMMER IS DESIGNED AND INTENDED TO FILTER WATER IN SWIMMING POOLS

TABLE OF CONTENTS

A. Installation	2	E. Operation	2
B. Installation of Options	2	F. Dimensions	3
C. Vacuuming	2	G. Troubleshooting Guide	4
D. Winterizing Procedure	2	H. Replacement Parts	4



CORPORATE OFFICE
Sanford, NC
(919) 774-4151

PENTAIR WEST
Moorpark, CA
(805) 523-2400

Do It Right The First Time.SM



Pentair
*Pool Products*TM

Because reliability matters most

BERMUDA GUNITE SKIMMER

A. INSTALLATION

1-For optimum skimming action, skimmer should be placed relative to prevailing wind and water flow direction. Consult pool manufacturer's instructions for placement recommendations.

2-Assemble piping and pipe fittings to skimmer. All piping must conform to local and state plumbing and sanitary codes.

3-Long piping runs and elbows restrict flow. For best efficiency, use the fewest possible fittings and large diameter pipe (1-1/2" on 1-1/2" skimmers and 2" on 2" skimmers.)

**** CAUTION ****

When gluing PVC Pipe into an ABS Skimmer, you must use the primer as recommended by the glue manufacturer. This will ensure PVC to ABS Cement compatibility and a leak free joint.

4-Seal off any unused skimmer ports with o-ring styled plugs.

**** CAUTION ****

For sealing skimmer ports, use only the plugs and o-rings provided (Items 10, 11)*. DO NOT use tapered metal plugs as this will void manufacturer's warranty. When using threaded plastic pipe fittings for skimmer hook up, use only silicone sealant and tighten fittings handtight plus 1-1/2 turns MAXIMUM. DO NOT OVERTIGHTEN! If skimmer must be bypassed for line pressure testing, use only commercially available test kits with o-ring sealing provisions.

5-Support skimmer securely in position. Support locators on bottom of skimmer allow 1-1/2" or 2" PVC pipe to be used as a support. The deck ring collar has a friction fit that allows 1-3/4" of vertical adjustment. Additional collars may be stacked upon each other to accommodate deck height as needed.

**** CAUTION ****

Insure piping is adequately supported on undisturbed earth. If additional backfilling and tamping is necessary, do not stress pipe or skimmer port by lifting or moving pipe after skimmer port connections have been made.

*Part numbers in parenthesis refer to the replacement parts as shown in the exploded drawing at the end of the manual.

6-Structural gunite/concrete should be applied in a monolithic pour, in conjunction with a cold joint as shown in Figure 1.

B. INSTALLATION OF OPTIONS

FLOAT VALVE

1-Remove all items from bag.

2-Place large o-ring into groove in bottom of skimmer.

3-Place float valve into bottom of skimmer and press to seat o-ring.

4-To increase flow through valve, slide trimmer plate to uncover hole in bottom of valve. To decrease flow, slide trimmer plate to cover hole in bottom of valve.

VACUUM PLATE

1-Remove vacuum plate and lid insert from bag.

2-Remove deck lid from skimmer by removing deck lid screws and lifting deck lid from collar.

3-Orient locating tabs on lid insert with respect to notches in underside of deck lid.

4-Push lid insert firmly until it snaps in place into deck lid.

5-Thread vacuum plate onto insert.

6-Replace deck lid with vacuum plate to skimmer, securely fastening the two deck lid screws.

**** WARNING ****

Always replace the two deck lid screws and tighten securely to avoid serious personal injury.

C. VACUUMING

1-Remove deck lid from skimmer by removing deck lid screws and lifting deck lid from collar.

2-Unscrew vacuum plate from bottom of deck lid and place on basket with smooth side up.

3-Fill vacuum hose with water and insert hose fitting into hole in vacuum plate. If an equalizer pipe or main drain line has been plumbed to the front port, block off port with trimmer plate prior to installing vacuum plate for best vacuum action.

D. WINTERIZING PROCEDURE

1-Drain pool level well below skimmer inlet.

2-Plug both ports with Pentair o-ring style pipe plugs (Items 10, 11)

3-Cover top of skimmer to prevent rain water accumulation. If skimmer top cannot be covered conveniently, plug (1) port with Pentair o-ring style pipe plug and use "GIZZMO"® freeze protection device in other port. DO NOT use tapered metal plugs.

E. OPERATION

To obtain best skimmer performance, the pools hydraulic system must be designed to flow from 10 GPM to 55 GPM per skimmer. This insures an adequate flow of water over the skimmer's weir. The amount of flow to the pump or from the main drain/equalizer line is regulated by the trimmer plate (item 6). To adjust the flow to the pump, move trimmer plate over pump outlet port until desired flow is achieved to adjust the flow from the main drain/equalizer line, move trimmer plate over main drain/equalizer inlet port until desired flow is achieved.

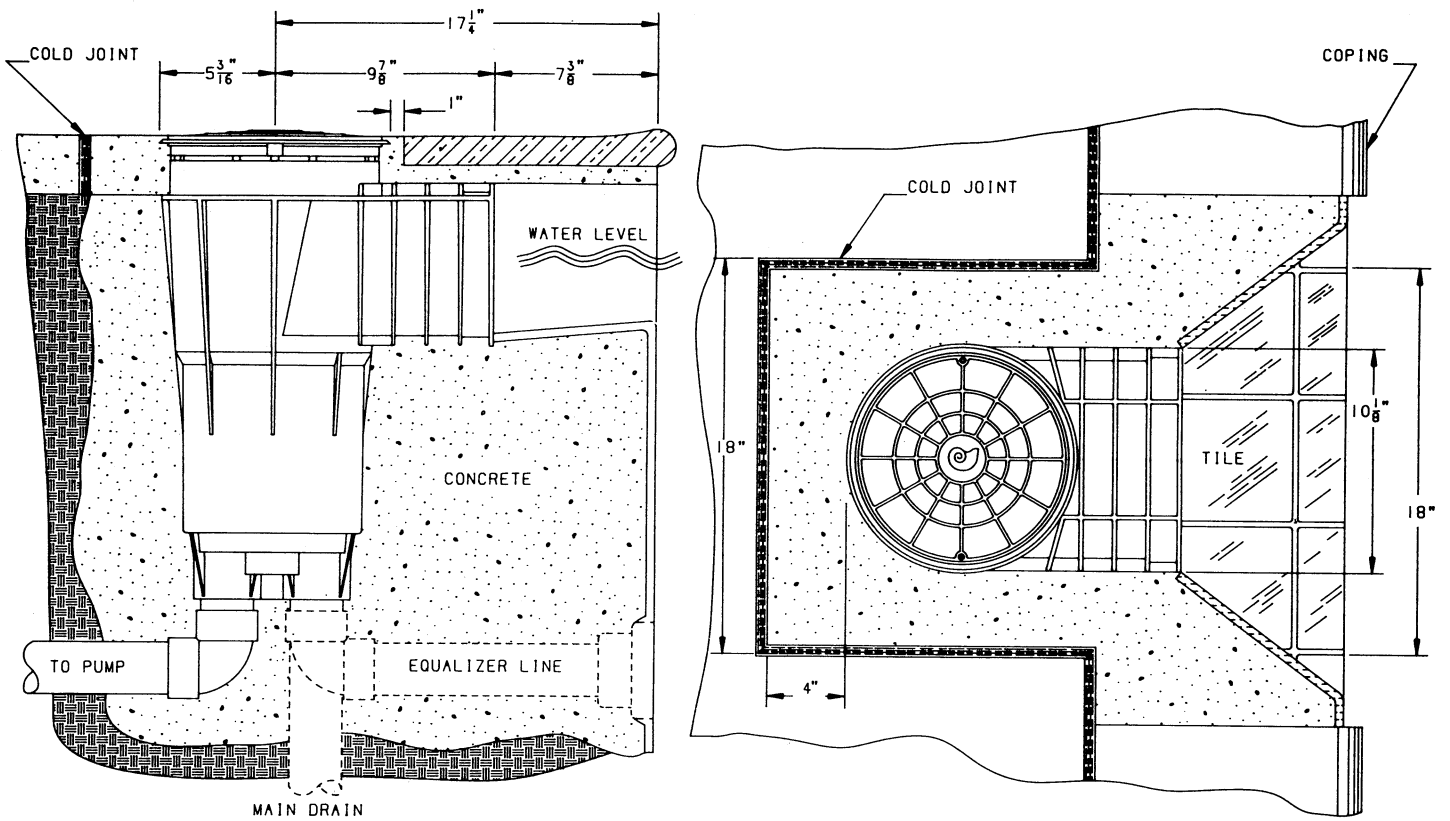
The water level of the pool should be maintained at approximately half way up the skimmer opening. The water level should not be allowed to get within 1" of the top or bottom of the opening. If the water level drops too far, air might enter the hydraulic system.

****WARNING****

Air entering the hydraulic system could become trapped and pressurized in the system. Trapped air and improperly closed filters, pumps, chlorinators or other equipment could cause the equipment to separate, causing serious personal injury and/or major property damage.

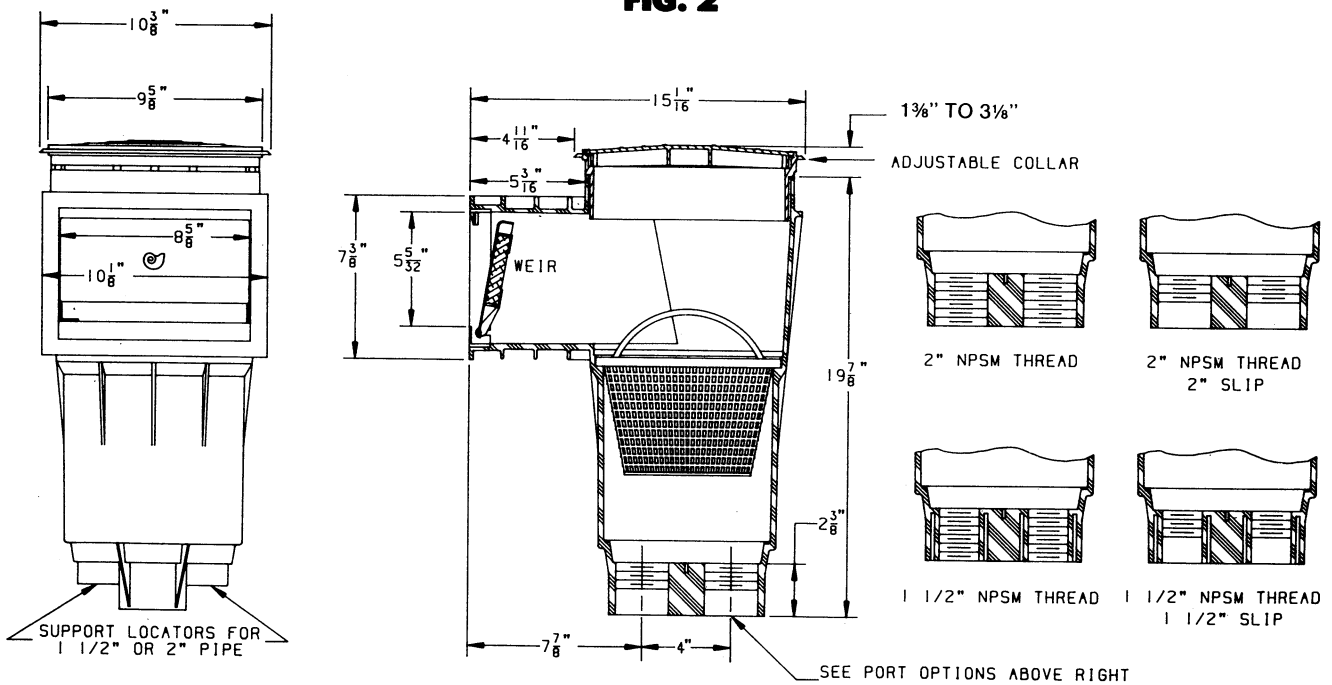
READ AND FOLLOW ALL SAFETY INSTRUCTIONS

**FIG. 1
TYPICAL GUNITE/CONCRETE INSTALLATION**



F. DIMENSIONS

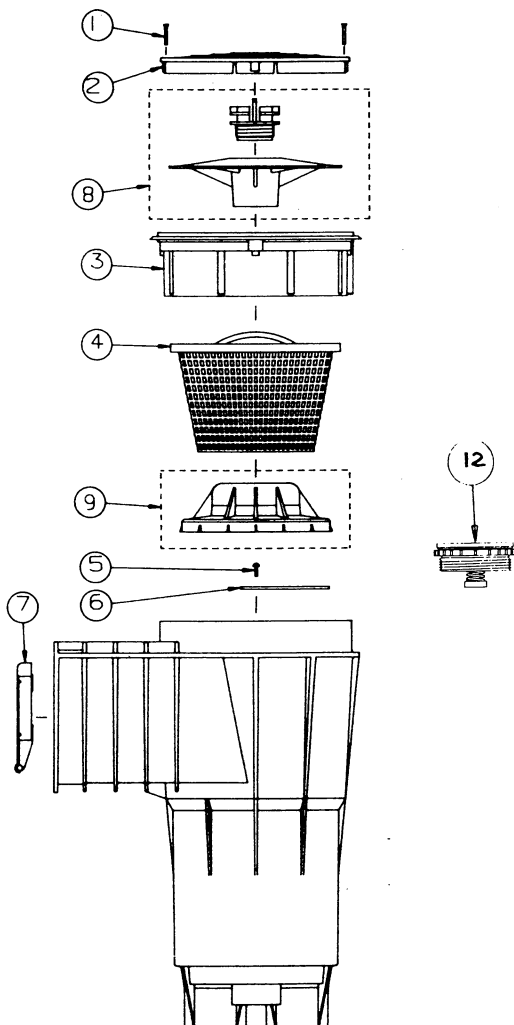
FIG. 2



READ AND FOLLOW ALL SAFETY INSTRUCTIONS

G. TROUBLESHOOTING GUIDE

Problem	Cause	Remedy
Pool surface not clean, inadequate skimming effect.	1. Skimmer basket obstructed.	Clean Skimmer basket.
	2. Incorrect pool water level.	Raise/lower pool water level to recommended heights.
	3. Inadequate pool water circulation.	Position pool water return fittings to increase surface circulation.
Pool surface clean, bottom dirty.	1. Main drain obstructed.	Clean main drain. Remove obstruction from main drain line.
	2. Inadequate pool water circulation.	Position pool water return fittings to increase circulation at bottom of pool.
Air returning to pool.	1. Low pool water level.	Raise pool water level to recommended height.



H. REPLACEMENT PARTS

REPLACEMENT PARTS

ITEM	PART NO.	DESCRIPTION	QTY.
1	51-6242	SCREW, #8-32X1" SS	2
2	51-6215	DECK LID, WHITE	1
2	51-6216	DECK LID, TAN	1
2	51-6306	DECK LID, BLACK	1
3	51-6253	DECK COLLAR, GUNITE, WHITE	1
3	51-6258	DECK COLLAR, GUNITE, TAN	1
3	51-6329	DECK COLLAR, GUNITE, BLACK	1
4	51-6112	BASKET	1
5	51-6243	SCREW, #8-X½" SS	1
6	51-6228	TRIMMER PLATE	1
7	51-6252	WEIR GATE ASSEMBLY	1
OPTIONS			
8	50-6161	VACUUM PLATE ASSEMBLY	1
9	50-6160	FLOAT VALVE ASSEMBLY	1
10	19-5853	2" O-RING STYLE PLUG	—
11	27-3062	2" O-RING FOR 19-5853 PLUG	—
10	19-1368	1½" O-RING STYLE PLUG	—
11	19-1474	1½" O-RING FOR 19-1368 PLUG	—
12	50-6162	EQUALIZER ASSEMBLY	—

FLOAT VALVE PARTS

ITEM	PART NO.	DESCRIPTION	QTY.
-	35-5330	O-RING, SMALL	1
-	51-6228	TRIMMER PLATE	1
-	51-6243	SCREW, #8-X½" SS	1
-	51-6244	O-RING, LARGE	1

NOTE: All NSF approved skimmers come complete with optional float valve assembly P/N 50-6160 and Equalizer Assembly P/N 50-6162.



READ AND FOLLOW ALL SAFETY INSTRUCTIONS